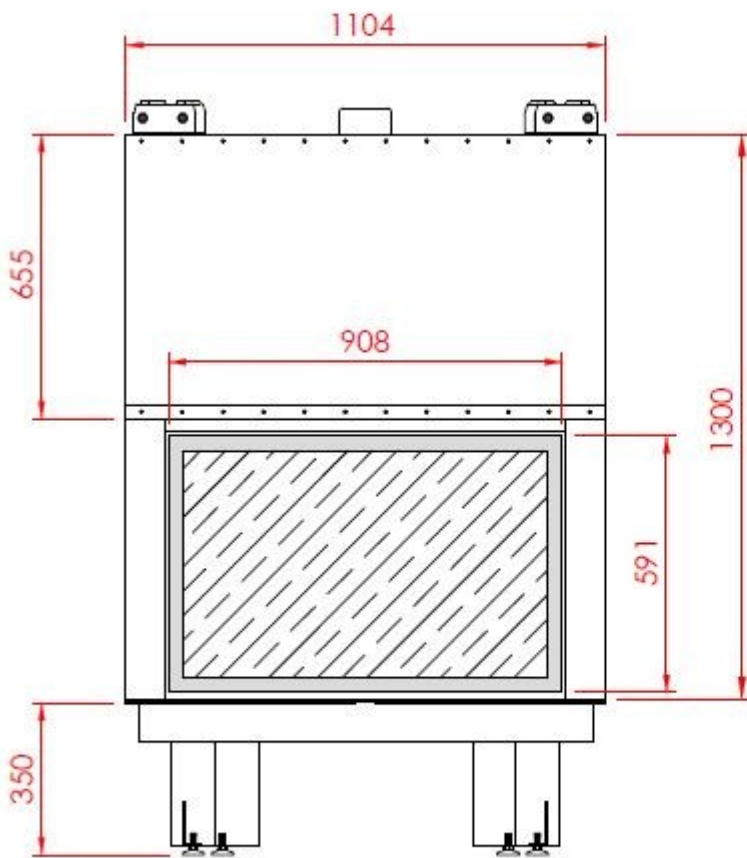
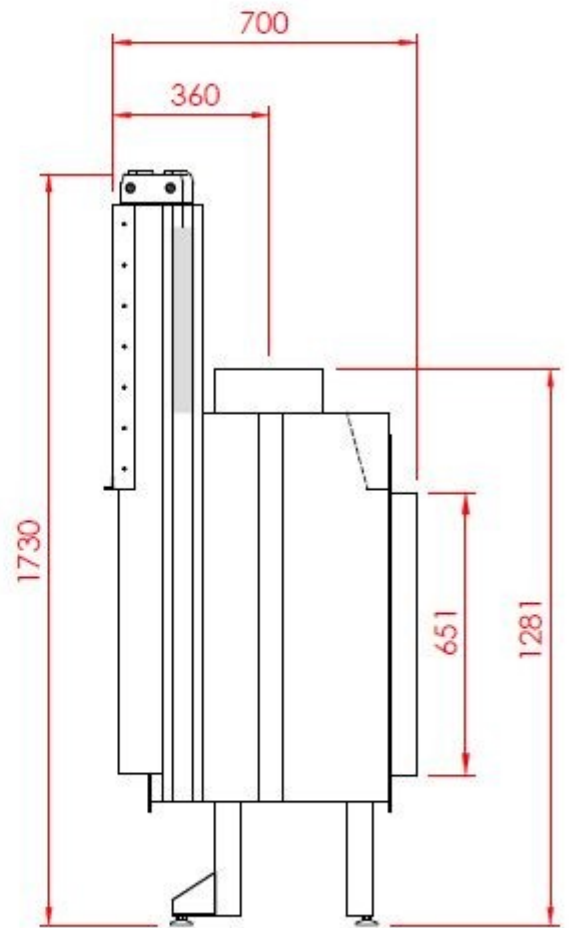


Top



Front



Side