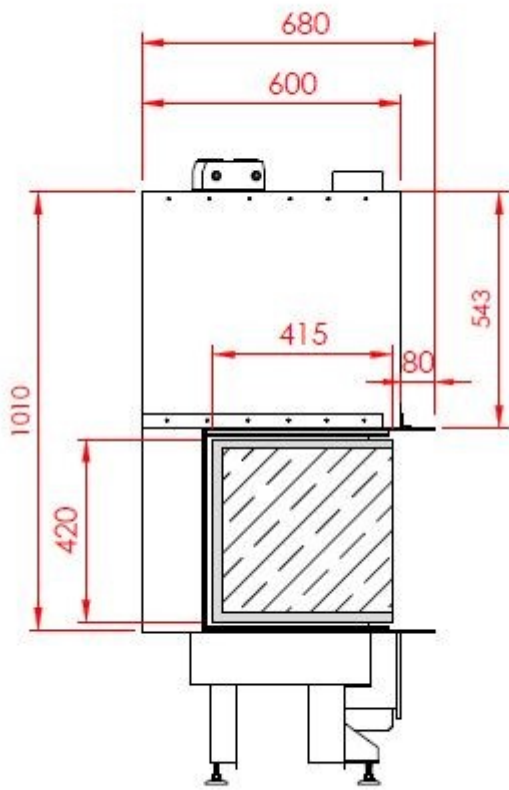
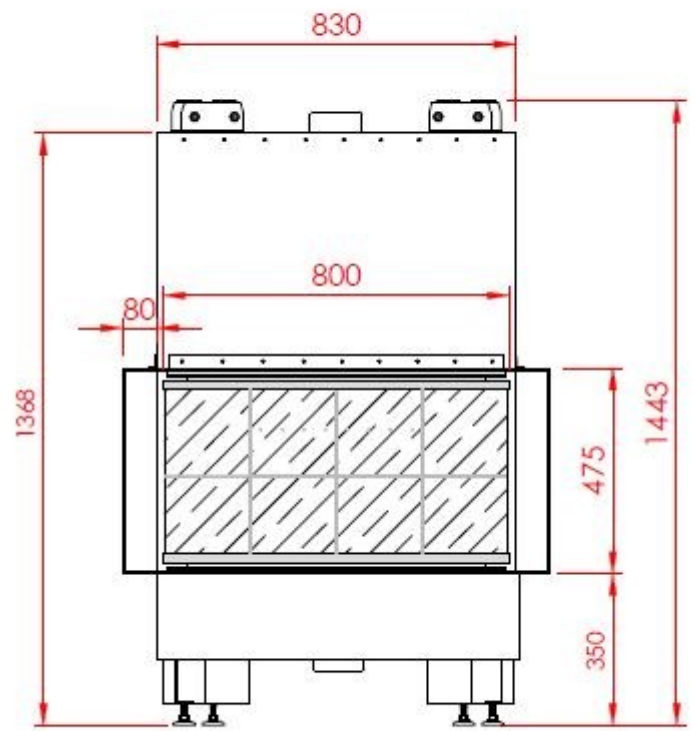


Top



Side



Front